



THERMOLEV
HEATING INDUSTRY

STEEL SOLID FUEL
BOILERS BM SERIES



ISO 9001:2008



THERMOLEV

Steel solid fuel boilers BM series

Steel solid fuel boilers BM series are certified in accordance with the European standards ISO 9001:2008, EN 309, DIN 4702. Thermolev keep strict specifications as its philosophy is to offer quality, safety and reliability to its costumers.

Technical description

High quality steel type ST 37-2, DIN 17100 is used for the production of steel boilers BM series. Solid fuel boilers have four ways fumes and the fumes movement take place through rhomboid diaphragm for the best efficiency of the boiler. The solid fuel boilers needs cleaning in rare long periods.

Steel solid fuel boilers BM can operate:

- with ventilator and control panel in order to achieve controlled burning, low fuel cost. Security measures of BM boiler: in case of blackout ventilator stops working and lowers the flame.
- or with wood metal thermostat with chain for the movement of the wicket and analogic thermometer.

Steel solid fuel boilers BM have:

- Outlet of the fumes
- Wicket fuel catering
- Wicket of combustion outlet
- Cleaning wicket
- Wicket for removing the ashes
- Wicket for the ventilator or for the metal thermostat
- Electrostatic painting of the set coating
- Boiler's door can be opened for both sides (right or left) under request
- Fibreglass insulation with aluminium cover

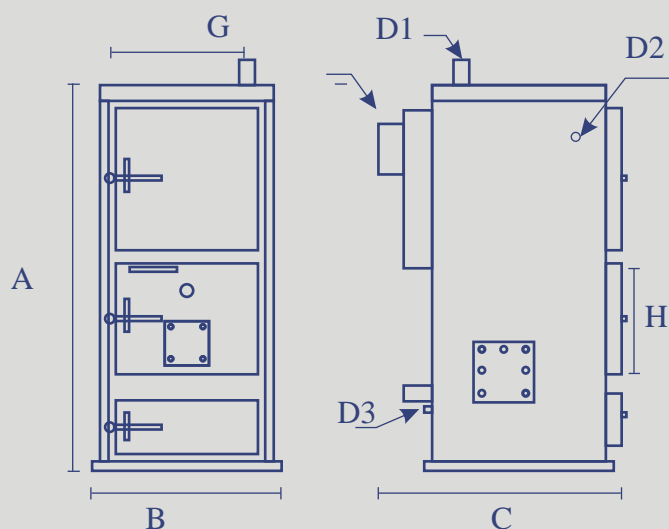
Solid fuel boiler BM series can burn:

- Wood
- rigquette
- Coal



Solid fuel boiler BM series can alternate to biomass boiler BMT boiler if you add the automatic feeding mechanism. Moreover, solid fuel boiler BM series can alternate to oil boiler if you place the correct and approved burner.

Technical characteristics BM series



Type	Output [kcal/h]		Output [kw]		Weight [kg]	Max. Power operation [bar]
	Min	Max	Min	Max		
45	40000	50000	46,3	57,9	270	3
65	60000	70000	69,4	81,0	320	3
90	80000	100000	92,6	115,7	380	3
110	100000	120000	115,7	138,9	450	3
130	120000	140000	138,9	162,0	510	3

	A [mm]	B [mm]	C [mm]	Dimensions of combustion chamber		
				Length [mm]	Width [mm]	Height [mm]
45	1220	605	885	455	520	430
65	1220	605	985	455	600	430
90	1440	830	985	655	620	545
110	1440	830	1085	655	720	545
130	1540	930	1185	760	800	655